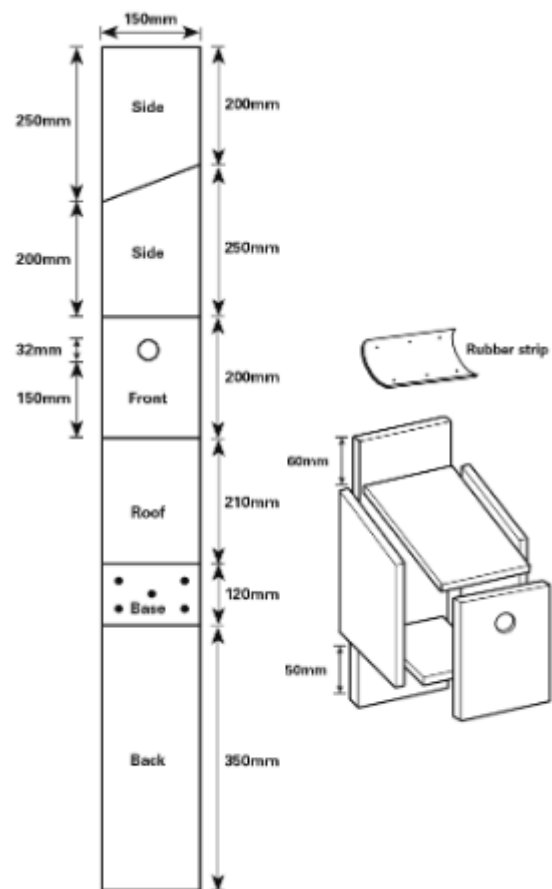




MRS·DOWSONS
FARM PARK

How to build a bird box!

1. **Measure and cut your wood** according to the diagram. **Note:** the dimensions shown are for 15mm thick wood. **Adults should be in charge for all the steps involving sharp tools or nails!**
2. **Nail all the pieces, except the roof, together.** The sides, back and front 'wrap around' the base.
3. **Attach the roof.** By using screws, you'll be able to get into the box at a later stage to clean it out.
4. **Decorate you box.** Now it's the fun part that you can all get stuck into! You should have a nice complete bird box now, so it's time to get out the paints and give it a personal touch. Think about pattern and colour and create something really unique.



Find the right bird—friendly spot...

- It will be under the eaves of your house or high on a wall, well away from curious cats or foxes! Make sure you get permission if you need it.

The box will need to be at least 3 metres (10 feet) from the ground, facing somewhere between north and east to avoid it getting too hot or wet. Avoid placing it in direct sunlight and don't put it over a doorway or well-used path.